

Installation and Quick Configuration Manual

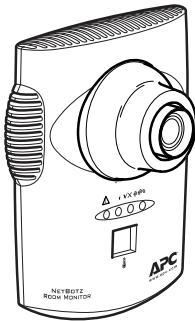
NetBotz[®] Room Monitor 355

NBWL0355/NBWL0355A

NBWL0356/NBWL0356A

990-3293E-001

Publication Date: 3/2018



APC[™]

by Schneider Electric

APC by Schneider Electric Legal Disclaimer

The information presented in this manual is not warranted by the APC by Schneider Electric to be authoritative, error free, or complete. This publication is not meant to be a substitute for a detailed operational and site specific development plan. Therefore, APC by Schneider Electric assumes no liability for damages, violations of codes, improper installation, system failures, or any other problems that could arise based on the use of this Publication.

The information contained in this Publication is provided as is and has been prepared solely for the purpose of evaluating data center design and construction. This Publication has been compiled in good faith by APC by Schneider Electric. However, no representation is made or warranty given, either express or implied, as to the completeness or accuracy of the information this Publication contains.

IN NO EVENT SHALL APC BY SCHNEIDER ELECTRIC, OR ANY PARENT, AFFILIATE OR SUBSIDIARY COMPANY OF APC BY SCHNEIDER ELECTRIC OR THEIR RESPECTIVE OFFICERS, DIRECTORS, OR EMPLOYEES BE LIABLE FOR ANY DIRECT, INDIRECT, CONSEQUENTIAL, PUNITIVE, SPECIAL, OR INCIDENTAL DAMAGES (INCLUDING, WITHOUT LIMITATION, DAMAGES FOR LOSS OF BUSINESS, CONTRACT, REVENUE, DATA, INFORMATION, OR BUSINESS INTERRUPTION) RESULTING FROM, ARISING OUT, OR IN CONNECTION WITH THE USE OF, OR INABILITY TO USE THIS PUBLICATION OR THE CONTENT, EVEN IF APC BY SCHNEIDER ELECTRIC HAS BEEN EXPRESSLY ADVISED OF THE POSSIBILITY OF SUCH DAMAGES. APC BY SCHNEIDER ELECTRIC RESERVES THE RIGHT TO MAKE CHANGES OR UPDATES WITH RESPECT TO OR IN THE CONTENT OF THE PUBLICATION OR THE FORMAT THEREOF AT ANY TIME WITHOUT NOTICE.

Copyright, intellectual, and all other proprietary rights in the content (including but not limited to software, audio, video, text, and photographs) rests with APC by Schneider Electric or its licensors. All rights in the content not expressly granted herein are reserved. No rights of any kind are licensed or assigned or shall otherwise pass to persons accessing this information.

This Publication shall not be for resale in whole or in part.

Contents

- Safety** 1
 - Safety Information for the Room Monitor 355 1
- Introduction** 2
 - Document Overview 3
 - Additional Documentation 3
 - Additional Options 3
 - StruxureWare Certified 3
- Physical Description** 4
 - Front 4
 - Rear 5
- Inventory** 6
- Installation** 7
 - Install the Room Monitor 355** 7
 - Electrical box 7
 - Wall 8
 - Ceiling 8
 - Rack 9
 - Connect the Room Monitor 355 to Your Network** 10
 - Power-over-Ethernet (PoE) injector 10
 - PoE-capable hub or switch 10
 - Connect Sensors to Sensor Ports** 11
 - Adjust the Lens** 12

- Initial Configuration 13**
 - Configure Network Settings 13**
 - Gather network settings information 13
 - Obtain network settings using DHCP 14
 - Configure network settings using a terminal emulator .. 14
 - Configure network settings using the
Serial Configuration Utility 15
 - Install Advanced View 16**
 - The Configuration Wizard 17**
 - Access an Appliance 17**
 - Administrator account user ID and password 17
 - Root account user ID and password 17
 - Lost password recovery 18
 - Web Client 18
 - Advanced View 18
 - Quick Configuration 19**
 - Configure appliance settings 19
 - Configure alert actions 20
- Clean the Room Monitor 355 21**
- Specifications 22**
 - Two-Year Factory Warranty 23**
 - Terms of warranty 23
 - Non-transferable warranty 23
 - Exclusions 23
 - Warranty claims 24
 - Radio Frequency Interference 25**
 - USA—FCC 25
 - Canada—ICES 25
 - Japan—VCCI 25
 - Taiwan—BSMI 26
 - Australia and New Zealand 26
 - European Union 26

Safety

Read the instructions carefully to become familiar with the equipment before trying to assemble, operate, service or maintain it. The following special messages may appear throughout this manual or on the equipment to warn of potential hazards or to call attention to information that clarifies or simplifies a procedure.



The addition of this symbol to a Danger or Warning safety label indicates that an electrical hazard exists which will result in personal injury if the instructions are not followed.



This is the safety alert symbol. It is used to alert you to potential personal injury hazards. Obey all safety messages that follow this symbol to avoid possible injury or death.

DANGER

Indicates an imminently hazardous situation which, if not avoided, will result in death or serious injury.

WARNING

Indicates a potentially hazardous situation which, if not avoided, can result in death or serious injury.

CAUTION

Indicates a potentially hazardous situation which, if not avoided, can result in moderate injury.

NOTICE

Addresses practices not related to physical injury including certain environmental hazards, potential damage or loss of data.

Safety Information for the Room Monitor 355

DANGER

HAZARD OF ELECTRIC SHOCK, EXPLOSION, OR ARC FLASH

- No user serviceable parts inside. Refer servicing to qualified personnel.
- Use indoors in a dry location.

Failure to follow these instructions will result in death or serious injury.

Introduction

The APC by Schneider Electric NetBotz® Room Monitor 355 functions as the central hardware appliance for a NetBotz security and environmental monitoring system. The Room Monitor 355 can be installed anywhere in a room and includes an integrated camera and internal sensors that monitor temperature, humidity, dew point, air flow, and motion. It also includes four sensor ports for connecting temperature, humidity, smoke, door, vibration, spot fluid, and third-party dry contact and 0–5 V sensors. The integrated camera includes the following features:

- Image processor that generates images up to 1280 x 1024 resolution, 24-bit color, and up to 30 frames per second.
NOTE: The maximum frame rate describes the maximum number of images that the camera imager is capable of producing each second. The actual frame rate is dependent on the amount of available bandwidth and current resolution.
- Image Size: 7.7 mm x 6.1 mm (9.82 mm diagonal = 0.39 in).
- Field of View: 64° (H) x 53° (V) for all resolutions.
- User adjustable and switchable industry-standard CS-mount lens. CS-mount permits access to hundreds of different general purpose and special purpose lenses.

ATTENTION: THE EQUIPMENT CONTAINS, AND THE SOFTWARE ENABLES, VISUAL RECORDING CAPABILITIES, THE IMPROPER USE OF WHICH MAY SUBJECT YOU TO CIVIL AND CRIMINAL PENALTIES. APPLICABLE LAWS REGARDING THE USE OF SUCH CAPABILITIES VARY BETWEEN JURISDICTIONS AND MAY REQUIRE AMONG OTHER THINGS EXPRESS WRITTEN CONSENT FROM RECORDED SUBJECTS. YOU ARE SOLELY RESPONSIBLE FOR INSURING STRICT COMPLIANCE WITH SUCH LAWS AND FOR STRICT ADHERENCE TO ANY/ALL RIGHTS OF PRIVACY AND PERSONALTY. USE OF THIS SOFTWARE FOR ILLEGAL SURVEILLANCE OR MONITORING SHALL BE DEEMED UNAUTHORIZED USE IN VIOLATION OF THE END USER SOFTWARE AGREEMENT AND RESULT IN THE IMMEDIATE TERMINATION OF YOUR LICENSE RIGHTS THEREUNDER.

Document Overview

The *NetBotz Room Monitor 355 Installation and Quick Configuration Manual* describes how to install a NetBotz Room Monitor 355, how to connect devices to the appliance, and how to configure network settings. After performing the configuration procedures in this manual, you can access your system through the software interface, perform additional configuration tasks, and begin monitoring the environment.

Additional Documentation

Unless otherwise noted, the following documentation is available on the applicable product page on the APC by Schneider Electric website, **www.apc.com**. To quickly find a product page, enter the product name or part number in the search field.

NetBotz Appliance User Guide: Includes all details for using, managing, and configuring a NetBotz system with one of the following appliances: NetBotz Room Monitor 355 (NBWL0355/NBWL0355A), NetBotz Rack Monitor 450 (NBRK0450), NetBotz Room Monitor 455 (NBWL0455/NBWL0455A), NetBotz Rack Monitor 550 (NBRK0550), or NetBotz Rack Monitor 570 (NBRK0570).

Additional Options

The following options are available for the Room Monitor 355. For more information about any of the options, contact your APC by Schneider Electric representative or the distributor from whom you purchased your APC by Schneider Electric product.

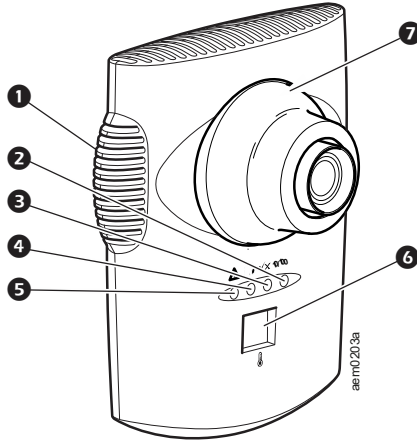
- Temperature Sensor (AP9335T)
- Temperature/Humidity Sensor (AP9335TH)
- NetBotz Spot Fluid Sensor (NBES0301)
- NetBotz Door Switch Sensor for Rooms or Third Party Racks (NBES0302)
- NetBotz Door Switch Sensor for APC by Schneider Electric Racks (NBES0303)
- NetBotz Dry Contact Cable (NBES0304)
- NetBotz 0–5 V Cable (NBES0305)
- NetBotz Vibration Sensor (NBES0306)
- NetBotz Smoke Sensor (NBES0307)

StruxureWare Certified

This product is certified for use in StruxureWare® systems.

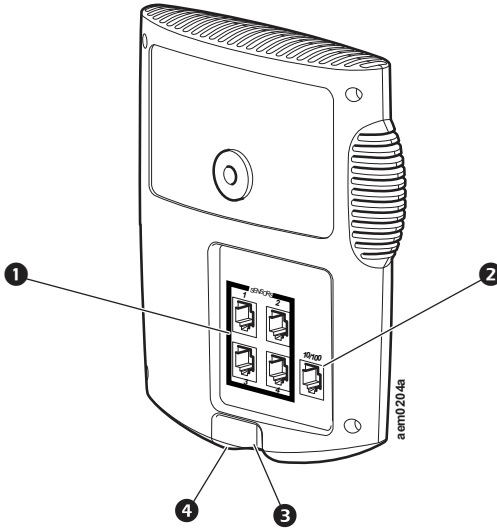
Physical Description

Front



| Item | Description |
|------|--|
| 1 | Vented internal sensors Vented opening for airflow, temperature, and humidity sensors. |
| 2 | Network link LED Shows the status of the network connection. Blinks to indicate network traffic (green = connected at 10 Mbps; yellow = connected at 100 Mbps). |
| 3 | Power LED Indicates whether the unit is receiving power (green = receiving power; dark = not receiving power). |
| 4 | Camera LED Blinks steadily when the integrated camera is active. |
| 5 | Alert LED Indicates the alert status of the system. When more than one alert exists, the most severe will be indicated. <ul style="list-style-type: none">• Flashing once every eight seconds = Informational• Flashing once every four seconds = Warning• Flashing once every two seconds = Error• Flashing once every second = Critical• Flashing twice per second = Failure |
| 6 | Temperature display <ul style="list-style-type: none">• Displays the current temperature from 0 to 99 in Centigrade or Fahrenheit. The Temperature reading comes from the internal temperature sensor. If the temperature exceeds 99, the display will flash 99.• When the unit first receives power, displays the unique identifier number for one minute.• If an alert exists, flashes at the same rate as the Alert LED.• During a firmware upgrade, displays 88. |
| 7 | Lens housing Must be removed to change the focus of the integrated camera. |

Rear

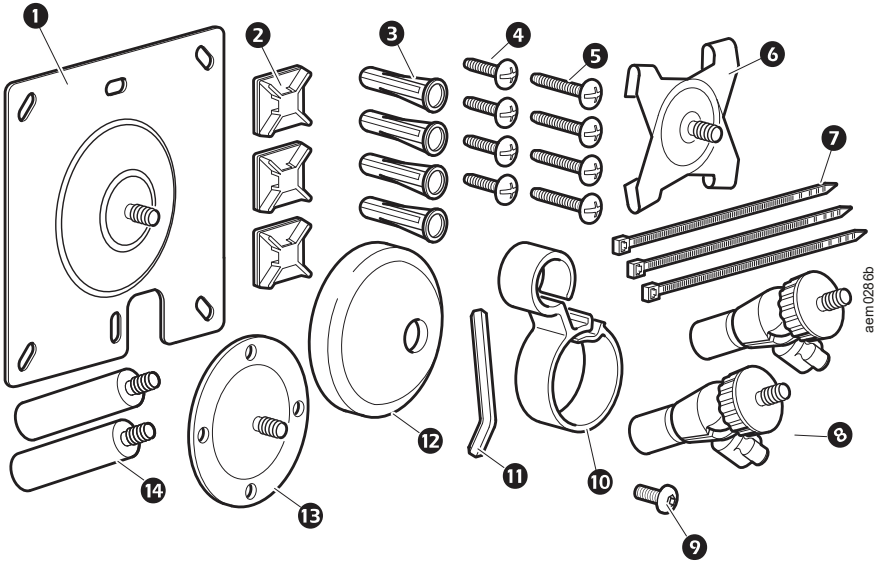


| Item | Description |
|------------------------------|---|
| 1 Sensor ports (4) | Used for connecting APC by Schneider Electric sensors, third-party dry-contact sensors, and standard third-party 0–5 V sensors. Third-party dry-contact state sensors require the NetBotz Dry Contact Cable (NBES0304). Standard third-party 0–5 V sensors require the NetBotz 0–5 V Sensor Cable (NBES0305). |
| 2 10/100 Base-T network port | Provides for a 10/100 Base-T network connection and power through Power-over-Ethernet (PoE). (The appliance operates at 100 Base-T only.) Status and link LEDs indicate network traffic: <ul style="list-style-type: none">• Status LED: blinks orange and green at start-up, then indicates the status of the network connection (solid green = IP address established; blinking green = attempting to obtain an IP address).• Link LED: blinks to indicate network traffic (green = connected at 10 Mbps; orange = connected at 100 Mbps). |
| 3 USB port | Used to configure the appliance. |
| 4 Reset | Used to restart the appliance. |

Inventory

Inspect the contents of the package to ensure that the parts included match those shown below. Report missing or damaged contents to APC by Schneider Electric or your APC by Schneider Electric reseller. However, if damage was due to shipping, immediately report the damage to the shipping agent.

The shipping and packaging materials are recyclable. Please save them for later use or dispose of them appropriately.



| Item | Description | Item | Description |
|------|--|------|--------------------------|
| 1 | Bracket mounting plate for electrical boxes | 8 | Ball-joint adjuster arms |
| 2 | Adhesive cable tie holders | 9 | Extender arm set screw |
| 3 | Mounting screw wall anchors | 10 | Cable retainer |
| 4 | 13 mm (0.5 in) machine screws (for electrical box) | 11 | Allen wrench |
| 5 | 19 mm (0.75 in) sheet metal screws (for wall or enclosure) | 12 | Rubber bracket cover |
| 6 | T-bar mounting plate | 13 | Mounting plate |
| 7 | 203 mm (8 in) tie wrap | 14 | Extender arm |

Not shown

NetBotz Room Monitor 355 (NBWL0355/NBWL0355A)

Power cord, 1.8 m (6 ft) Black, NEMA 5-15P to IEC-320-C13, #14 AWG cord, RoHS Compliant (only included with NBWL0356/NBWL0356A)

Power cord, 1.8 m (6 ft) Black, IEC-320-C14 to IEC-320-C13, RoHS Compliant (only included with NBWL0356/NBWL0356A)

Power-over-Ethernet injector power supply (100–250 VAC in, 48 VDC out) (only included with NBWL0356/NBWL0356A)

Installation

Choose an installation option that meets your needs. Consider the following:

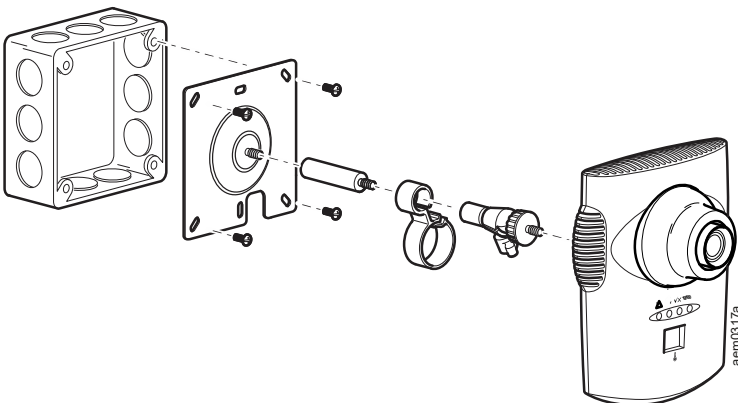
- Consider the location of the nearest network port.
- Make sure the camera will not be obstructed.
- Consider cable routing for all sensors that you plan to connect.
- The ideal position of the Room Monitor 355 for measuring the airflow is directly facing the oncoming air.

NOTICE

Only connect approved devices to ports on the Room Monitor 355 as directed in this manual. Plugging in other devices may result in equipment damage.

Install the Room Monitor 355

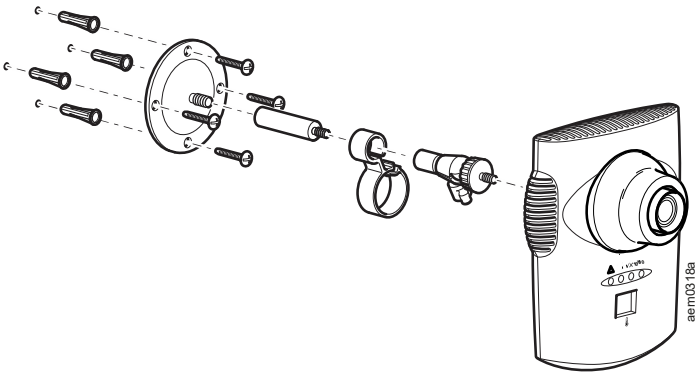
Electrical box



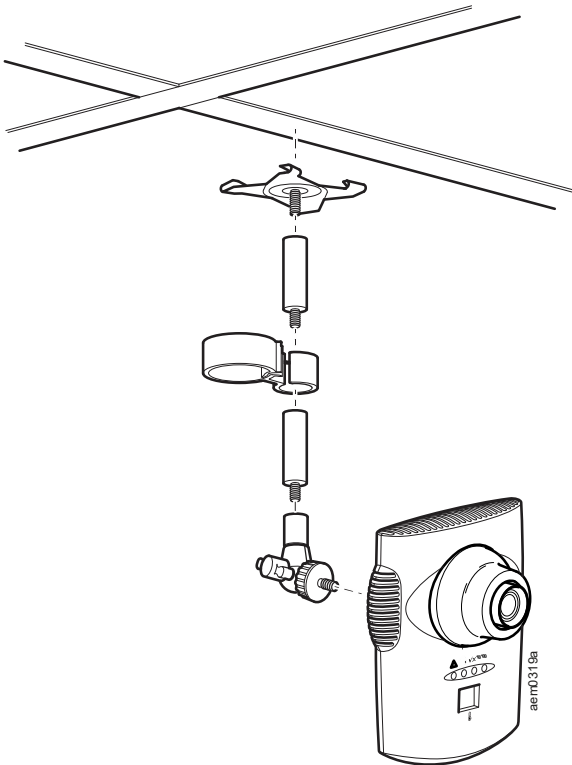
Wall

Drill 4.76 mm (0.19 in) pilot holes for wall anchors.

NOTE: Do not overtighten the screws.

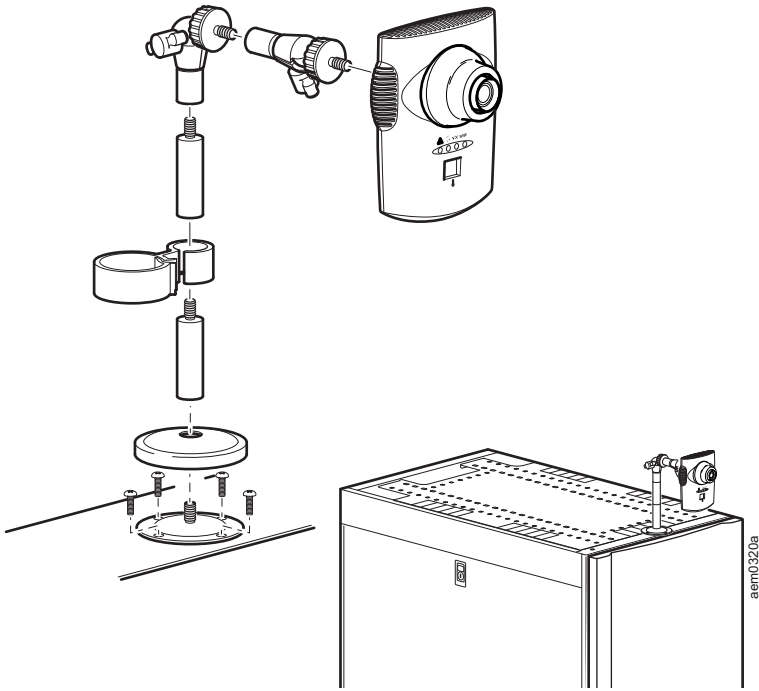


Ceiling



Rack

Use a #32 drill to make four 2.94 mm (0.116 in) pilot holes.

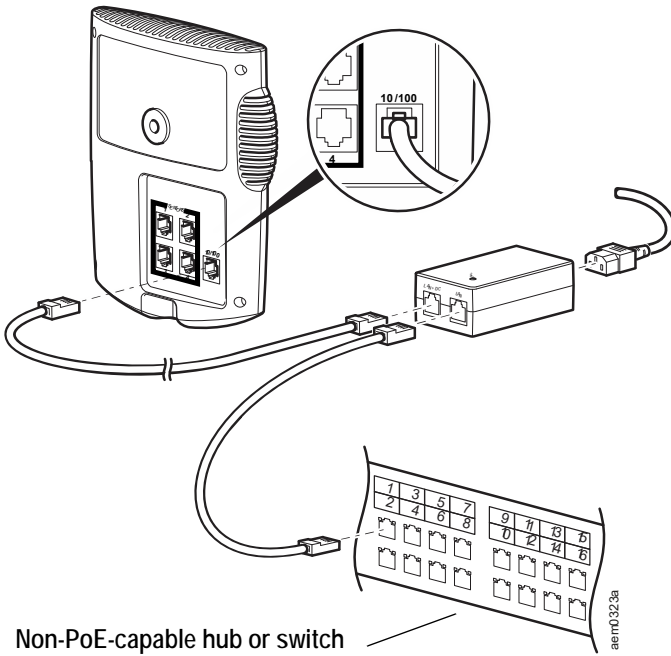


Connect the Room Monitor 355 to Your Network

Power-over-Ethernet (PoE) injector

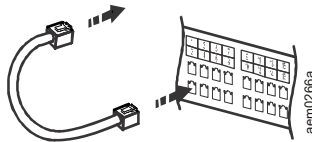
NOTICE

- Before you energize the Room Monitor 355, review the electrical specifications on page 22 to avoid overloading the circuit.
- Be sure the appliance is properly grounded by plugging the power cord directly into a wall outlet or by verifying the ground path if you are using a power strip.



PoE-capable hub or switch

To appliance 10/100 Base-T network port



Connect Sensors to Sensor Ports

You can connect the following APC by Schneider Electric sensors to the four ports labeled **Sensors** on the Room Monitor 355:

- Temperature Sensor (AP9335T)
- Temperature and Humidity Sensor (AP9335TH)
- NetBotz Spot Fluid Sensor (NBES0301)
- NetBotz Door Switch Sensor for Rooms and Third Party Racks (NBES0302)
- NetBotz Door Switch Sensor for APC by Schneider Electric Racks (NBES0303)
- NetBotz Dry Contact Cable (NBES0304)
- NetBotz 0–5 V Cable (NBES0305)
- NetBotz Vibration Sensor (NBES0306)
- NetBotz Smoke Sensor (NBES0307)

Consider the following when connecting APC by Schneider Electric and third-party sensors:

- Third-party dry contact sensors require the NetBotz Dry Contact Cable (NBES0304). To connect a sensor to the cable, follow the instructions provided with the sensor and the instructions provided with the cable.
- Standard third-party 0–5 V sensors require the NetBotz 0–5 V Sensor Cable (NBES0305). To connect a sensor to the cable, follow the instructions provided with the sensor and the instructions provided with the cable.
- If a sensor cable is not long enough, use an RJ-45 coupling (provided with some sensors) and standard CAT-5 cabling to extend the cable up to 15 m (50 ft) for a Temperature/Humidity Sensor (AP9335TH) or a Temperature Sensor (AP9335T) and up to 30.5 m (100 ft) for all other supported sensors.

Adjust the Lens

View the camera feed during the adjustment of the camera in order to correctly adjust the focus of the feed and field of view settings.

To access the adjustment screws, remove the lens housing by turning the lens housing to the left until the latches disengage.

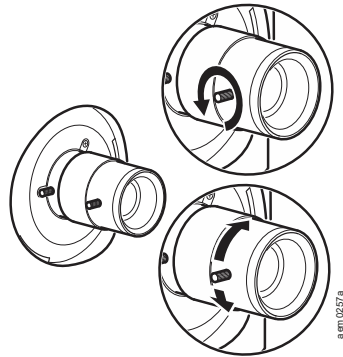
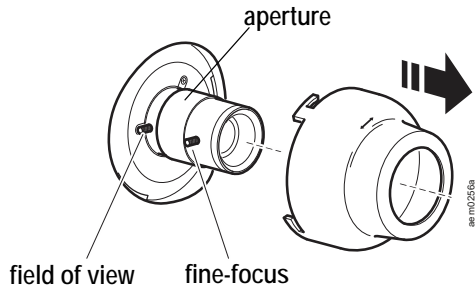
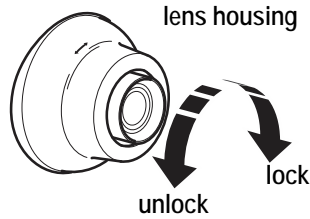
To reattach the lens housing, engage the latches and rotate the housing to the right until you hear a click.

To increase the aperture of the lens, rotate the aperture ring to the right.

To reduce the aperture, rotate the aperture ring to the left.

To adjust the focus and field of view settings:

1. Loosen the adjustment screw by turning it to the left.
2. Rotate the lens rings to the desired position.
3. Tighten the adjustment screw by turning it to the right.



Initial Configuration

This section explains how to set up your network settings and other configuration tasks.

Disregard the procedures in this section if you have StruxureWare Data Center Expert[®] as part of your system. See the documentation for your StruxureWare device for more information.

NOTE: NBWL0355A is only compatible with BotzWare[™] v4.6.1 and newer.

Configure Network Settings

Before you install your Room Monitor 355 appliance, you must configure the network settings. By default, your appliance is configured to obtain network settings using DHCP. Alternately, you can use a terminal emulator or serial configuration utility to specify the appliance network settings (including IP address, gateway address, subnet mask, hostname, NAT proxy, and speed and duplex settings).

Gather network settings information

Collect the following information from your systems administrator. You will need this information to configure the network settings on your appliance.

- DHCP and IP Address Information:
 - Does your network use a DHCP server?
 - If you do not use DHCP, what IP address is assigned to your appliance?
- Subnet Mask Information:
 - Will you use a subnet mask for the appliance LAN interface?
 - If you are using a subnet mask, what is the mask?
- Gateway Information:
 - Will you use a default gateway for packet routing?
 - If you use a default gateway, what is the gateway IP address?
 - If a default gateway is unavailable, use the IP address of a computer that is located on the same subnet as the appliance and that is usually running. The appliance uses the default gateway to test the network when traffic is very light.

Obtain network settings using DHCP

By default, your appliance is configured to obtain its network settings using DHCP. When you connect the appliance to your network and apply power, it automatically attempts to contact a DHCP server. The appliance will wait 30 seconds for a response.

If the DHCP server is configured to provide a hostname, the appliance will request either its configured hostname or 'netbotzxxxxxx' (where xxxxxx is the last 6 digits of the appliance serial number) as a hostname to be associated with the IP address granted by the DHCP server. This enables you to use a Web browser to connect to the appliance at the <http://netbotzxxxxxx> without any additional configuration.

The appliance will also request a DNS server addresses, a DNS domain, SMTP server addresses, and NTP server addresses from the DHCP server.

NOTE: After your DHCP server has assigned network settings for the appliance, you can connect your system to the appliance using the provided null modem cable, and use a terminal emulator or the serial configuration utility to view the network settings. For more information, see “Configure network settings using a terminal emulator” on this page or “Configure network settings using the Serial Configuration Utility” on page 15.

Configure network settings using a terminal emulator

To configure your appliance using the terminal emulator:

1. Connect one end of the USB cable to a USB port on your system and the other end of the cable to the USB port on the appliance.
2. Open a serial connection on your terminal emulator using port settings 38400 baud, 8, 1, N.
3. Enter the root account user name and password for the appliance (**root** and **apc**, by default) and click **OK**.
4. Set your appliance to use network settings assigned by a DHCP server, or provide an IP address, subnet mask, and gateway address for the appliance. You can specify a NAT proxy name or IP address to be used by a NAT Proxy server in your network to allow users to connect to the appliance from outside the firewall. You can also specify speed and duplex settings for use by this interface, or use Auto Negotiate.

5. Save your configuration settings, and close the terminal emulator. Test the IP connection of the NetBotz appliance. Start your Web browser and type the appliance IP address into the address field. Press **Enter**. If the appliance is online and properly configured, the web client displays in the browser window.
6. Follow the instructions in “Connect Sensors to Sensor Ports” on page 11.

Configure network settings using the Serial Configuration Utility

To configure your appliance using the Serial Configuration Utility:

1. Click **Start > Programs > NetBotz > Serial Configuration > Serial Configuration Utility** to start the Serial Configuration Utility.
2. Connect one end of a USB cable to your computer and the other end of the cable to the Console port on the NetBotz appliance.
3. Plug the power cord provided with your NetBotz appliance into a wall outlet, and then connect it to the AC line inlet.

NOTE: Use the provided power cord only with NetBotz products.

The green Power LED illuminates immediately after you apply power to the appliance. The unit can take up to two minutes to initialize, depending on appliance configuration. The red Alert LED illuminates when the appliance detects an alert condition. Click **Next** to continue.

4. The Serial Configuration Utility automatically scans your system COM ports to determine if a NetBotz appliance is connected to the network. If an appliance is discovered, the appliance is listed in the **Device** column of the window. Select the radio button for the appliance to configure and click **Next** to continue.

NOTE: If the COM port associated with the port to which your USB cable is connected is currently in use by another application, the message beside the COM port in the **Owner** column indicates that the port is not available. To correct this, close the application that is using the COM port and click **Scan Serial Ports**.

5. The Root Password window appears. Enter the administrator password (**apc**, by default) and click **OK**.
6. Specify whether to use DHCP to specify the network settings of your appliance. Click **Yes** or **No**, and click **Next** to continue.
7. The utility scans the appliance and displays the network settings stored on the appliance. The network settings are divided into Ethernet Card Settings and DNS Settings.

8. Specify the Ethernet Card settings.
 - To use network settings assigned by a DHCP server, select **Configure automatically via DHCP**.
 - To specify network settings for use by this appliance, select **Configure using these settings** and provide an IP address, subnet mask, and gateway address for the appliance. Specify a NAT proxy name or IP address to be used by a NAT Proxy server in your network to allow users to connect to the appliance from outside the firewall. You can also specify speed and duplex settings for use by this interface, or use the default setting, Auto Negotiate.
9. Specify the DNS Settings.
 - To use DNS Settings provided by your DHCP server, select **Use DHCP DNS Settings**.
 - To specify DNS Settings for this appliance manually, clear the **Use DHCP DNS Settings** check box and provide the domain and DNS server information.
10. Click **Next** to save your configuration settings. Click **Finish** to close the Serial Configuration Utility.
11. Test the IP connection of the NetBotz appliance. Start your web browser and type the IP address of the appliance into the address field. Press **Enter**. If the appliance is online and properly configured, the Basic View displays in the browser window.

Install Advanced View

NOTE: The Java Runtime Environment used by Advanced View application is always installed, regardless of whether the installation target already has a suitable JRE installed.

- Microsoft Windows Systems: To install the applications and the JRE on a computer running Windows XP SP1 or SP2, Windows 2000, Windows Vista, Windows 7, or Windows 10, download install.exe from **www.apc.com**. Follow the prompts to complete the installation of your software.
- Linux Systems: To install the applications and the JRE on a computer running Red Hat Enterprise Linux 4 or 5, or Fedora™ Core 24, download install.bin from **www.apc.com**. Follow the prompts to complete the installation of your software.

The Configuration Wizard

Use the Configuration Wizard to configure the following settings:

- Domain Name Server Settings
- Clock and Calendar Settings
- Region Settings
- Administrator user ID and password
- E-Mail Settings
- E-Mail Alert Notification Recipients

The Configuration Wizard downloads the latest available version of BotzWare to your appliance.

When you finish configuring your appliance with the wizard, your appliance monitors your environment for lack of adequate air flow and for changes in temperature and humidity. The appliance also detects motion in the area where the camera is located. Alert conditions detected by any of these sensors generate an e-mail to send to a specified e-mail address.

The Configuration Wizard runs each time you use Advanced View with your NetBotz appliance until you complete all of the steps in the Wizard or select **Don't Show Configuration Wizard Next Time**. You can run the Wizard again by selecting **Configuration Wizard** from the Advanced View **Tools** pull-down menu.

Access an Appliance

After the appliance is running on your network, you can access the configured appliance through the web client or Advanced View.

Administrator account user ID and password

Your appliance has a pre-configured Administrator account. The user ID and password for this account are both **apc**. To increase security, use the Advanced View *Users* task to change the default user ID and password for the Administrator account.

Root account user ID and password

Your appliance has a pre-configured root account. The root account is used only for communications that are performed with the USB Console Port, e.g., when you use the Serial Configuration Utility to specify network settings. The default user ID is **root** and the password is **apc**. **NOTE:** You cannot change the root account user ID. To increase security, use the Advanced View *Change Root Password* Tool to change the root account password.

Lost password recovery

To recover from a lost password:

1. Locate the reset switch on the bottom of the appliance.
2. Use a thin wire such as a paper clip to press the reset switch for 10 seconds. This causes the system to restart.
3. Once the system restarts, login within two minutes using the default login values:
 - For Advanced View:
 - **User ID:** apc
 - **Password:** apc
 - For the console:
 - **User ID:** root
 - **Password:** apc

NOTE: If you do not log in within two minutes after holding down the reset switch, you must repeat the procedure.
4. After you log in, change the password to increase security.

Web Client

The NetBotz web client provides a real-time overview of alerts and device details, including sensor reading and images captured by camera pods. For a list of supported web browsers and versions, see the release notes on **www.apc.com**.

NOTE: For advanced appliance configuration and system administration, use Advanced View (see “Advanced View” on this page).

Advanced View

Advanced View is a stand-alone application that must be installed on a supported network-attached computer. Use Advanced View to view sensor data, camera images, and other appliance data in a custom Java application. You can also use Advanced View to generate relay output actions and configure all appliance features.

NOTE: Advanced View is not supported on mobile devices.

For more information on the web client or Advanced View, see the *NetBotz Appliance User Guide* on **www.apc.com**.

Quick Configuration

Once you configure, install, and apply power to your appliance, use Advanced View to perform the following procedures.

- **Configure Appliance Settings:** Configure the appliance Clock, DNS, Region, Network Interface (hostname, NAT proxy, and speed and duplex settings), E-mail Servers, and Proxy settings.
- **Configure Alert Actions:** Configure the Play Audio Alert and Primary E-mail Notification alert actions.

Configure appliance settings

Open Advanced View and perform the following Appliance Settings tasks. The icons associated with each task are located in the Configuration pane, in the Appliance Settings region.

1. Set the Clock settings. By default, your appliance synchronizes the system clock with the default NTP servers. If network access to these servers is not permitted, double-click on the **Clock** icon and specify your NTP server address or specify the clock settings manually.
2. Set DNS settings. Double-click the **DNS** icon and specify the DNS Domain and at least one DNS Server address.
3. Set the Region settings. Double-click the **Region** icon and set Locale and Time Zone. The default settings are US and Central Standard Time.
4. Specify a hostname for your appliance. Double-click **Network Interfaces** and specify a hostname for your appliance. Optionally, specify a NAT proxy name or IP address to be used by a NAT Proxy server in your network to allow users to connect to the appliance from outside the firewall. You can also specify speed and duplex settings for use by this interface, or use the default setting, Auto Negotiate.
5. Assign a unique user ID and password to the Administrator account. By default, the Administrator user ID and password are both **apc**. To increase security, double-click the **Users** icon, double-click **NetBotz Admin Account**, and specify a unique user ID and password for the administrator account.

6. Set your E-mail Server settings. This is the e-mail server that your appliance uses to deliver e-mail alert notifications. Double-click the **E-mail Servers** icon, and configure the following settings:
 - (Optional) Provide a **From** address.
 - In the **SMTP server** field, type the hostname or IP address of your SMTP server (for example, mail.yourcompany.com).
 - If necessary, specify a **Port** value (25, by default).
 - Select an **SSL option** for authentication and certificate verification. Check with your network administrator for further assistance.
 - Click **Test E-mail Server**, type in your e-mail address, and click **OK**. An e-mail is sent to your address when an alert is detected. Confirm that you received the test e-mail and continue.
7. If your network uses an HTTP or Socks proxy server, double-click the **Proxy** icon and specify your Proxy settings. If you are unsure whether you use an HTTP or Socks proxy, check with your network administrator.

Configure alert actions

You can configure your appliance to play audio alert notifications through the headphone/speaker jack on your Camera Pod 160 or Camera Pod 120 or to send an e-mail alert notification to your e-mail address when sensor thresholds are violated.

Open Advanced View and perform the following Pod/Alerts Settings tasks. The icons associated with each task are located in the Configuration pane, in the Pod/Alerts Settings region.

1. Open the Alert Actions task. Double-click the **Alert Actions** icon to open the Alert Action Configuration window.
2. Click **Add...** to open the Select Alert Action window, select **Play Audio Alert** and click **OK** to open the Add Alert Action window.
3. In the **Alert Action Name** field, type a name for this alert action (for example, Play Audio Alert).
4. Select your Camera Pod from the **Output Device** drop box. Optionally, adjust the **Volume%** setting.
5. Click **OK** to close the Add Alert Action window and continue. Your newly created alert action is included in the list of Alert Actions.
6. Select **Primary E-mail Notification** from the list of defined alert actions and click **Edit**.

7. Check **Include a sound clip with the alert**. This ensures that any alert e-mailed to you includes a sound clip with any camera images that are delivered. You can disable this option later, if the file size of alert notifications is too large.
8. Click **Add...**, type your e-mail address in the Add E-mail Address window, and click **OK**.
9. Click **OK** to close the Edit Alert Action window and continue.
10. Click **OK** to close the Alert Action Configuration window.

Clean the Room Monitor 355

To clean the device, gently wipe surfaces with a clean, dry cloth.

Specifications

Electrical

Input voltage, nominal 48 VDC (Power-over-Ethernet)

Maximum power consumption 15 W

Physical

Dimensions (H x W x D) 210 x 170 x 94 mm (8.3 x 6.7 x 3.7 in)

Weight 0.64 kg (1.40 lb)

Shipping dimensions (H x W x D) 178 x 381 x 318 mm (7.0 x 15.0 x 12.5 in)

Shipping weight 1.72 kg (3.80 lb)

Environmental

Elevation (above MSL)
Operating 0 to 3000 m (0 to 10,000 ft)
Storage 0 to 15 000 m (0 to 50,000 ft)

Temperature
Operating 0 to 45° C (32 to 113° F)
Storage -15 to 65° C (5 to 149° F)

Relative Humidity
Operating 10 to 90%, non-condensing
Storage 10 to 90%, non-condensing

Compliance

CE, FCC Part 15 Class A, ICES-003 Class A, VCCI Class A, EN 55022 Class A, EN 55024, AS/NZS CISPR 22

Two-Year Factory Warranty

This warranty applies only to the products you purchase for your use in accordance with this manual.

Terms of warranty

APC by Schneider Electric warrants its products to be free from defects in materials and workmanship for a period of two years from the date of purchase. APC by Schneider Electric will repair or replace defective products covered by this warranty. This warranty does not apply to equipment that has been damaged by accident, negligence or misapplication or has been altered or modified in any way. Repair or replacement of a defective product or part thereof does not extend the original warranty period. Any parts furnished under this warranty may be new or factory-remanufactured.

Non-transferable warranty

This warranty extends only to the original purchaser who must have properly registered the product. The product may be registered at the APC by Schneider Electric website, www.apc.com.

Exclusions

APC by Schneider Electric shall not be liable under the warranty if its testing and examination disclose that the alleged defect in the product does not exist or was caused by end user's or any third person's misuse, negligence, improper installation or testing. Further, APC by Schneider Electric shall not be liable under the warranty for unauthorized attempts to repair or modify wrong or inadequate electrical voltage or connection, inappropriate on-site operation conditions, corrosive atmosphere, repair, installation, exposure to the elements, Acts of God, fire, theft, or installation contrary to APC by Schneider Electric recommendations or specifications or in any event if the APC by Schneider Electric serial number has been altered, defaced, or removed, or any other cause beyond the range of the intended use.

THERE ARE NO WARRANTIES, EXPRESS OR IMPLIED, BY OPERATION OF LAW OR OTHERWISE, OF PRODUCTS SOLD, SERVICED OR FURNISHED UNDER THIS AGREEMENT OR IN CONNECTION HEREWITH. APC by Schneider Electric DISCLAIMS ALL IMPLIED WARRANTIES OF MERCHANTABILITY, SATISFACTION AND FITNESS FOR A PARTICULAR PURPOSE. APC by Schneider Electric EXPRESS WARRANTIES WILL NOT BE ENLARGED, DIMINISHED, OR AFFECTED BY AND NO OBLIGATION OR LIABILITY WILL ARISE OUT OF, APC by

Schneider Electric RENDERING OF TECHNICAL OR OTHER ADVICE OR SERVICE IN CONNECTION WITH THE PRODUCTS. THE FOREGOING WARRANTIES AND REMEDIES ARE EXCLUSIVE AND IN LIEU OF ALL OTHER WARRANTIES AND REMEDIES. THE WARRANTIES SET FORTH ABOVE CONSTITUTE APC by Schneider Electric'S SOLE LIABILITY AND PURCHASER'S EXCLUSIVE REMEDY FOR ANY BREACH OF SUCH WARRANTIES. APC by Schneider Electric WARRANTIES EXTEND ONLY TO PURCHASER AND ARE NOT EXTENDED TO ANY THIRD PARTIES.

IN NO EVENT SHALL APC by Schneider Electric, ITS OFFICERS, DIRECTORS, AFFILIATES OR EMPLOYEES BE LIABLE FOR ANY FORM OF INDIRECT, SPECIAL, CONSEQUENTIAL OR PUNITIVE DAMAGES, ARISING OUT OF THE USE, SERVICE OR INSTALLATION, OF THE PRODUCTS, WHETHER SUCH DAMAGES ARISE IN CONTRACT OR TORT, IRRESPECTIVE OF FAULT, NEGLIGENCE OR STRICT LIABILITY OR WHETHER APC by Schneider Electric HAS BEEN ADVISED IN ADVANCE OF THE POSSIBILITY OF SUCH DAMAGES. SPECIFICALLY, APC by Schneider Electric IS NOT LIABLE FOR ANY COSTS, SUCH AS LOST PROFITS OR REVENUE, LOSS OF EQUIPMENT, LOSS OF USE OF EQUIPMENT, LOSS OF SOFTWARE, LOSS OF DATA, COSTS OF SUBSTITUENTS, CLAIMS BY THIRD PARTIES, OR OTHERWISE.

NO SALESMAN, EMPLOYEE OR AGENT OF APC by Schneider Electric IS AUTHORIZED TO ADD TO OR VARY THE TERMS OF THIS WARRANTY. WARRANTY TERMS MAY BE MODIFIED, IF AT ALL, ONLY IN WRITING SIGNED BY AN APC by Schneider Electric OFFICER AND LEGAL DEPARTMENT.

Warranty claims

Customers with warranty claims issues may access the APC by Schneider Electric customer support network through the Support page of the APC by Schneider Electric website, www.apc.com/support. Select your country from the country selection pull-down menu at the top of the Web page. Select the Support tab to obtain contact information for customer support in your region.

Radio Frequency Interference

Changes or modifications to this unit not expressly approved by the party responsible for compliance could void the user's authority to operate this equipment.

USA—FCC

This equipment has been tested and found to comply with the limits for a Class A digital device, pursuant to part 15 of the FCC Rules. These limits are designed to provide reasonable protection against harmful interference when the equipment is operated in a commercial environment. This equipment generates, uses, and can radiate radio frequency energy and, if not installed and used in accordance with this user manual, may cause harmful interference to radio communications. Operation of this equipment in a residential area is likely to cause harmful interference. The user will bear sole responsibility for correcting such interference.

After an electrostatic discharge (ESD) event, the appliance may require up to 2 minutes to restart services that are necessary for normal operation. During this time, the Web interface of the appliance will be unavailable. If any necessary services or devices external to the appliance, such as a DHCP server, were affected by the ESD event, these devices also need to restart properly.

Canada—ICES

This Class A digital apparatus complies with Canadian ICES-003.

Cet appareil numérique de la classe A est conforme à la norme NMB-003 du Canada.

Japan—VCCI

This is a Class A product based on the standard of the Voluntary Control Council for Interference by Information Technology Equipment (VCCI). If this equipment is used in a domestic environment, radio disturbance may occur, in which case, the user may be required to take corrective actions.

この装置は、情報処理装置等電波障害自主規制協議会（VCCI）の基準に基づくクラス A 情報技術装置です。この装置を家庭環境で使用すると、電波妨害を引き起こすことがあります。この場合には、使用者が適切な対策を講ずるよう要求されることがあります。

Taiwan—BSMI

警告使用者：
這是甲類的資訊產品，在居住的環境中使用時，可能會造成射頻干擾，在這種情況下，使用者會被要求採取某些適當的對策。

Australia and New Zealand

Attention: This is a Class A product. In a domestic environment this product may cause radio interference in which case the user may be required to take adequate measures.

European Union

This product is in conformity with the protection requirements of EU Council Directive 2004/108/EC on the approximation of the laws of the Member States relating to electromagnetic compatibility. APC by Schneider Electric cannot accept responsibility for any failure to satisfy the protection requirements resulting from an unapproved modification of the product.

This product has been tested and found to comply with the limits for Class A Information Technology Equipment according to CISPR 22/ European Standard EN 55022. The limits for Class A equipment were derived for commercial and industrial environments to provide a reasonable protection against interference with licensed communication equipment.

Attention: This is a Class A product. In a domestic environment this product may cause radio interference, in which case the user may be required to take adequate measures.

Worldwide Customer Support

Customer support for this product is available at www.apc.com.

© 2018 APC by Schneider Electric. APC, the APC logo, NetBotz, Botzware, and SturxureWare are owned by Schneider Electric Industries S.A.S., or its affiliated companies. All other trademarks are property of their respective owners.